

SMD Power Inductor(MGSDRH103R,104R,105R Series) 贴片功率电感 MGSDRH103R,104R,105R 系列

FEATURES 特点

- Excellent solderability and high heat resistance.
良好的可焊性
- Low cost and packed in embossed carrier tape.
低成本编带包装
- Magnetically shielded construction.
磁屏蔽结构



APPLICATIONS 应用

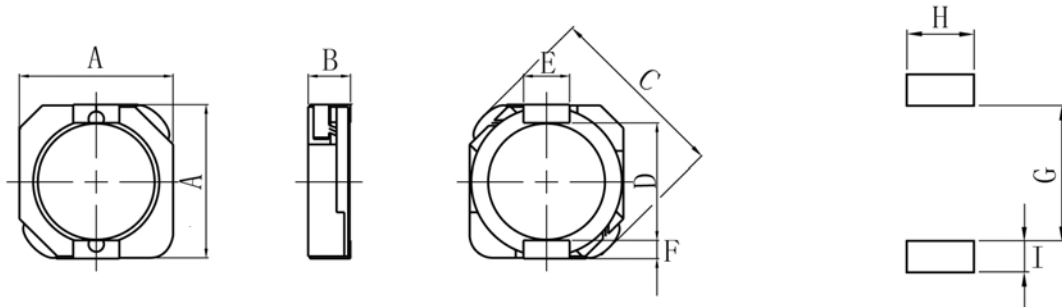
- Ideally used in Mobilephone,PDA,MP3,MDSC/DVC,Portable DVD, etc as DC-DC Converter.
用于移动电话、PDA、MP3、影碟机、便携式DVD、DC-DC转换等。

Product Identification 产品标识

MGSDRH **103R** - **100** **M** **I** : **LF**
 ① ② ③ ④ ⑤ ⑥

- ① Series name 系列名称
- ② Product dimensions 产品尺寸:
- ③ Inductance Value 电感量: (3R3:3.3uH 100:10uH; 101:100uH)
- ④ Inductance Tolerance 电感量公差: (K:10% ; M:20% ; N:30% or 25%)
- ⑤ Package 包装: Tape & reel
- ⑥ Lead free products 无铅产品

Shapes And Dimensions 外形及尺寸示意图



Series	Dimensions(mm)								
	A	B	C	D	E	F	G	H	I
MGSDRH103R	10.5	3.1	13.5	7.7	3.0	1.2	7.3	3.2	1.6
MGSDRH104R	10.5	4.0	13.5	7.7	3.0	1.2	7.3	3.2	1.6
MGSDRH105R	10.5	5.1	13.5	7.7	3.0	1.2	7.3	3.2	1.6

SMD Power Inductor(MGSDRH103R,104R,105R Series) 贴片功率电感 MGSDRH103R,104R,105R 系列

Electrical Characteristics 电气性能

MGSDRH103R Series

Part Number	L±20% (uH)	DCR max. (Ohms)	Isat (A)
MGSDRH103R-1R2	1.2	12.00m	4.80
MGSDRH103R-1R8	1.8	14.00m	4.50
MGSDRH103R-2R7	2.7	18.00m	4.10
MGSDRH103R-3R9	3.9	22.00m	3.76
MGSDRH103R-6R8	6.8	36.00m	3.10
MGSDRH103R-8R2	8.2	42.00m	3.00
MGSDRH103R-100	10	52.00m	2.80
MGSDRH103R-150	15	62.00m	2.10
MGSDRH103R-220	22	91.00m	1.80
MGSDRH103R-330	33	150.00m	1.53
MGSDRH103R-470	47	208.00m	1.34
MGSDRH103R-560	56	228.00m	1.19
MGSDRH103R-680	68	289.00m	1.13
MGSDRH103R-820	82	312.00m	1.04
MGSDRH103R-101	100	377.00m	960m
MGSDRH103R-121	120	449.00m	882m
MGSDRH103R-151	150	607.00m	747m
MGSDRH103R-181	180	676.00m	688m
MGSDRH103R-221	220	826.00m	666m
MGSDRH103R-271	270	933.00m	580m
MGSDRH103R-331	330	1.14	513m
MGSDRH103R-391	390	1.43	490m
MGSDRH103R-471	470	1.61	450m
MGSDRH103R-561	560	1.78	380m
MGSDRH103R-681	680	2.86	300m

SMD Power Inductor(MGSDRH103R,104R,105R Series) 贴片功率电感
MGSDRH103R,104R,105R 系列

MGSDRH104R Series

Part Number	L±20% (uH)	DCR max. (Ohms)	Isat (A)
MGSDRH104R-1R2	1.2	15.50m	5.40
MGSDRH104R-2R2	2.2	17.00m	4.95
MGSDRH104R-3R3	3.3	22.00m	4.35
MGSDRH104R-3R9	3.9	26.00m	4.05
MGSDRH104R-4R7	4.7	28.00m	3.90
MGSDRH104R-5R6	5.6	33.00m	3.80
MGSDRH104R-6R8	6.8	43.00m	3.50
MGSDRH104R-100	10	60.00m	3.15
MGSDRH104R-150	15	78.00m	2.90
MGSDRH104R-220	22	107.00m	2.50
MGSDRH104R-270	27	114.00m	2.30
MGSDRH104R-330	33	133.00m	2.00
MGSDRH104R-390	39	143.00m	1.90
MGSDRH104R-470	47	241.00m	1.80
MGSDRH104R-560	56	260.00m	1.62
MGSDRH104R-680	68	338.00m	1.35
MGSDRH104R-820	82	384.00m	1.26
MGSDRH104R-101	100	429.00m	1.17
MGSDRH104R-121	120	455.00m	1.10
MGSDRH104R-151	150	611.00m	1.05
MGSDRH104R-221	220	939.00m	900m
MGSDRH104R-271	270	1.17	720m
MGSDRH104R-331	330	1.30	530m
MGSDRH104R-391	390	1.56	450m
MGSDRH104R-471	470	1.76	405m
MGSDRH104R-681	680	1.83	360m

SMD Power Inductor(MGSDRH103R,104R,105R Series) 贴片功率电感 MGSDRH103R,104R,105R 系列

MGSDRH105R Series

Part Number	L±20% (uH)	DCR max. (Ohms)	Isat (A)
MGSDRH104R-1R2	1.2	12.00m	8.30
MGSDRH104R-1R5	1.5	14.00m	8.30
MGSDRH104R-2R2	2.2	16.00m	7.50
MGSDRH104R-3R3	3.3	19.50m	6.50
MGSDRH104R-3R9	3.9	22.10m	6.00
MGSDRH104R-4R7	4.7	28.00m	5.50
MGSDRH104R-5R6	5.6	30.00m	4.50
MGSDRH104R-6R8	6.8	36.00m	4.90
MGSDRH104R-100	10	51.00m	4.00
MGSDRH104R-120	12	52.00m	3.60
MGSDRH104R-150	15	57.00m	3.30
MGSDRH104R-180	18	59.00m	3.10
MGSDRH104R-220	22	82.00m	2.90
MGSDRH104R-270	27	87.00m	2.70
MGSDRH104R-330	33	95.00m	2.60
MGSDRH104R-390	39	182.00m	2.20
MGSDRH104R-470	47	183.00m	2.00
MGSDRH104R-560	56	205.00m	1.80
MGSDRH104R-680	68	234.00m	1.60
MGSDRH104R-820	82	247.00m	1.40
MGSDRH104R-101	100	325.00m	1.35
MGSDRH104R-121	120	350.00m	1.20
MGSDRH104R-151	150	403.00m	1.10
MGSDRH104R-181	180	527.00m	1.00
MGSDRH104R-221	220	658.00m	940m
MGSDRH104R-331	330	775.00m	600m
MGSDRH104R-391	390	936.00m	550m
MGSDRH104R-471	470	1.30	540m
MGSDRH104R-681	680	1.40	490m

※ 测试条件: $L \leq 8.2\mu\text{H}$ 测试频率 100KHz / 0.25V, ($N \pm 30\%$);

$L > 8.2\mu\text{H}$ 测试频率 1KHz / 0.25V, ($M \pm 20\%$);