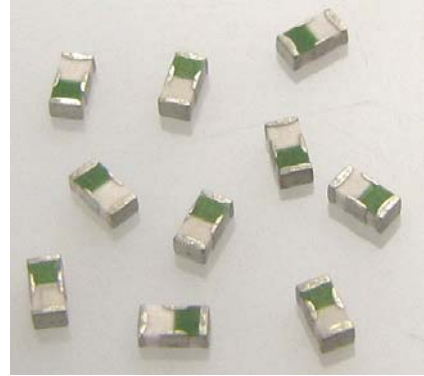


Multilayer Chip Microwave Band Pass Filter 叠层片式微波带通滤波器

FEATURES 特点

- Good performance with low insertion loss in passband and high suppression in stopband
性能优良，通带内低插入损耗，通带外高抑制
- Compact structure , easy to use and tune
体积小，易于应用，减少复杂的调校工作
- Multilayer single structure and high reliability
独立多层结构，可靠性高



APPLICATIONS 应用

- Bluetooth 模块; WLAN 模块; 0.8 GHz~6 GHz 通讯系统包括 GSM / DCS / PCS 手机等
Bluetooth module, WLAN module. 0.8GHz~6 GHz communication system including GSM / DCS / PCS cellphone etc.

Product Identification 产品标识

MBPF **21** **B2450** **P57** - **N21**
① ② ③ ④ ⑤

- ① Series name 系列名称
- ② Dimension 产品尺寸 L×W: 【22: 2.5mm×2.0mm; 21: 2.0mm×1.25mm; 18: 1.6×0.8mm】
- ③ Center Frequency 中心工作频率: 2450MHz
- ④ Planar Design Series 平面设计结构
- ⑤ Normal Type 标准规格

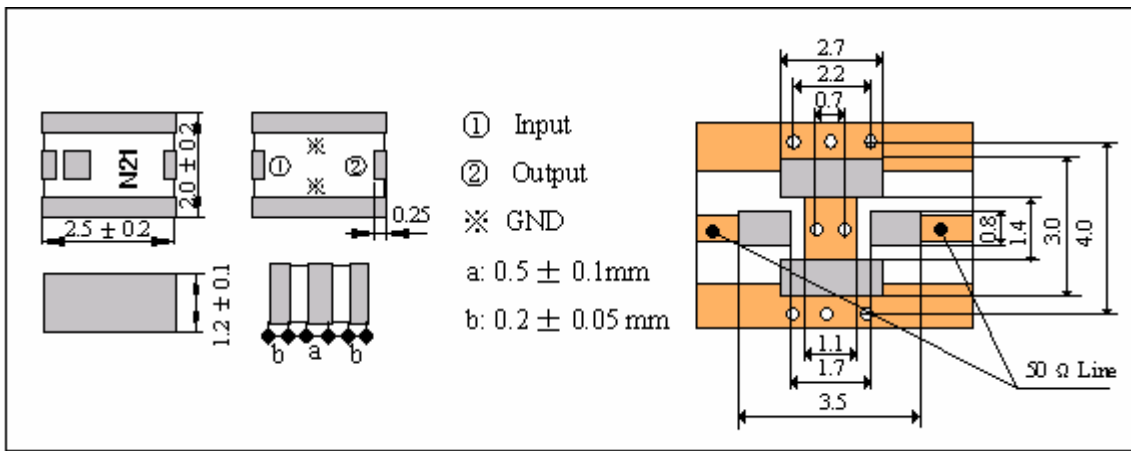
Product Specification 产品规格简表

Part No.产品型号	Dimensions 尺寸 L×W(mm)	Center Frequency 中心频率 fo (MHz)	Bandwidth 带宽 (MHz)	Insertion Loss 插入损耗 (dB)/at 25 ° C
MBPF22B2450P47-N21	2.5×2.0	2450	f0 ± 50	≤1.2
MBPF21B2450H46-N36	2.0×1.2	2450	f0 ± 50	≤1.4
MBPF22B2450P57-N41	2.5×2.0	2450	f0 ± 50	≤2.0
MBPF22B2450P45-N50	2.5×2.0	2450	f0 ± 50	≤2.0
MBPF18M2450-M11	1.6×0.8	2450	f0 ± 50	≤2.0
MBPF31B5800P36-N20	3.2×1.6	5800	f0±50	≤2.0
MBPF22B5790P56-N57	2.5×2.0	5790	f0±62.5	≤2.5
MBPF18M2450-M11/1	1.6×0.8	2450	f0 ± 50	≤2.4
MBPF18M2450-N78	1.6×0.8	2450	f0 ± 50	≤2.8

Multilayer Chip Microwave Band Pass Filter 叠层片式微波带通滤波器

Part No. 产品型号: MBPF22B2450P47-N21

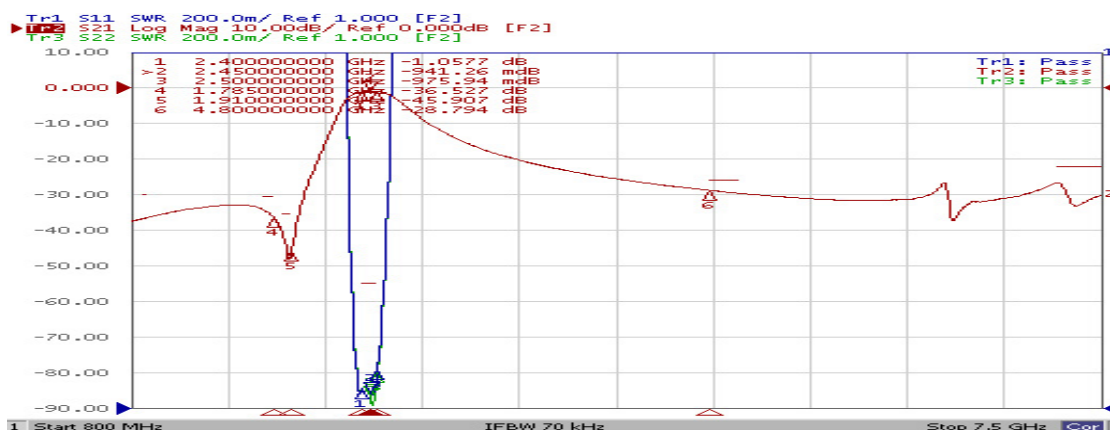
1. Dimensions 外形尺寸 (Unit: mm)



2. Electrical Characteristics 电气性能

No.	Item (项目)	Specifications (特性)
1	Center Frequency 中心频率 f_0	2450.00 MHz
2	Insertion Loss 插入损耗	≤ 1.2 dB (at $25^\circ\text{C} \pm 5^\circ\text{C}$)
		≤ 1.5 dB (at $-40^\circ\text{C} \sim 85^\circ\text{C}$)
3	Band Width 通带宽度	$f_0 \pm 50$ MHz
4	Ripple (in BW) 通带波动	≤ 0.6 dB
5	V.S.W.R (in BW) 驻波比	≤ 2.0
6	Attenuation 阻带衰减	≥ 30 (880~915MHz)
		≥ 30 (1710~1785MHz)
		≥ 35 (1850~1910MHz)
		≥ 25 (4800~5000MHz)
		≥ 22 (7200~7500MHz)
7	Permissible Input Power 输入功率 (MAX)	1 W
8	In/Output Impedance 输入/输出阻抗	50 Ω

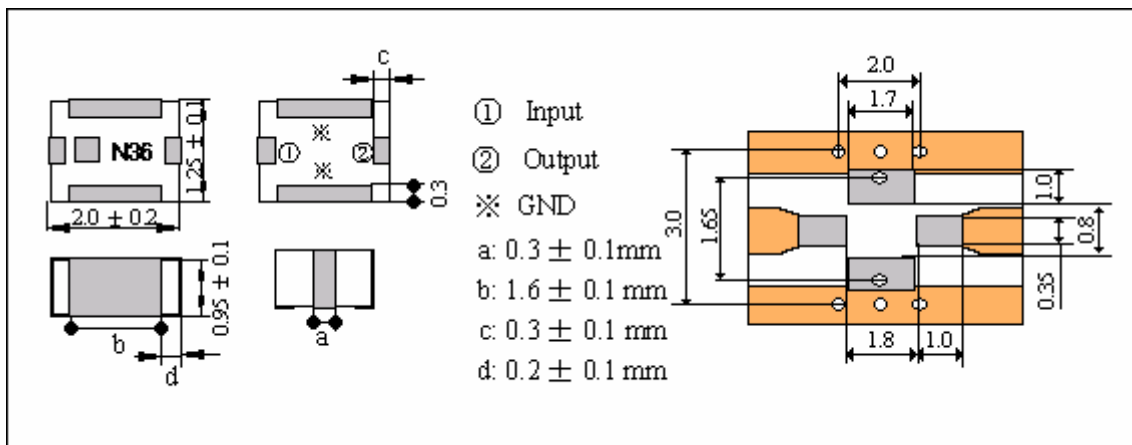
3. Characteristic curve 特性曲线



Multilayer Chip Microwave Band Pass Filter 叠层片式微波带通滤波器

Part No. 产品型号: MBPF21B2450H46-N36

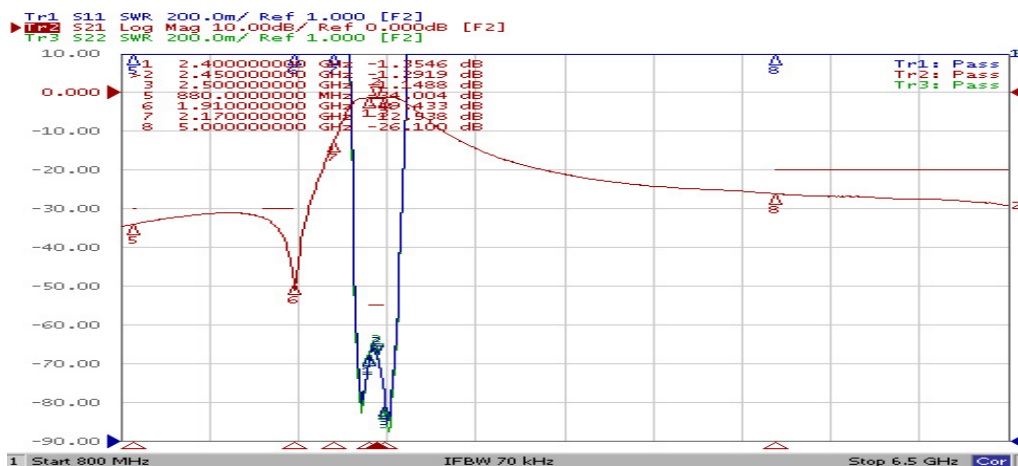
1. Dimensions 外形尺寸 (Unit: mm)



2. Electrical Characteristics 电气性能

No.	Item (项目)	Specifications (特性)
1	Center Frequency 中心频率 f_0	2450.0 MHz
2	Insertion Loss 插入损耗	$\leq 1.4\text{dB}$ (at $25^\circ\text{C} \pm 5^\circ\text{C}$)
		$\leq 1.7\text{dB}$ (at $-40^\circ\text{C} \sim 85^\circ\text{C}$)
3	Band Width 通带宽度	$f_0 \pm 50.0$ MHz
4	Ripple (in BW) 通带波动	≤ 0.8 dB
5	V.S.W.R (in BW) 驻波比	≤ 2.0
6	Attenuation 阻带衰耗	$\geq 30\text{dB}$ (880~915MHz)
		$\geq 30\text{dB}$ (1710~1910MHz)
		$\geq 6\text{dB}$ (2110~2170MHz)
		$\geq 20\text{dB}$ (5000~6500MHz)
7	Permissible Input Power 输入功率 (MAX)	0.5 W
8	In/Output Impedance 输入/输出阻抗	50 Ω

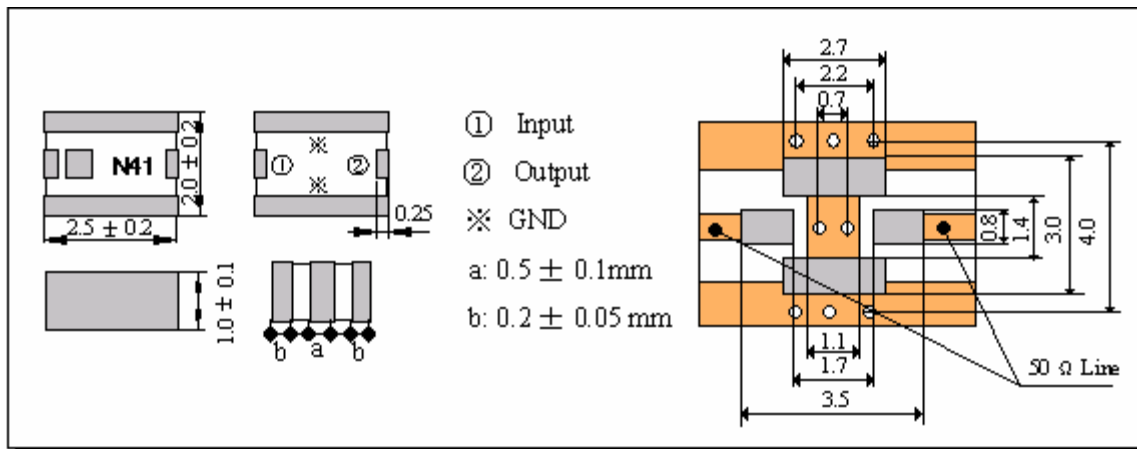
3. Characteristic curve 特性曲线



Multilayer Chip Microwave Band Pass Filter 叠层片式微波带通滤波器

Part No. 产品型号: MBPF22B2450P57-N41

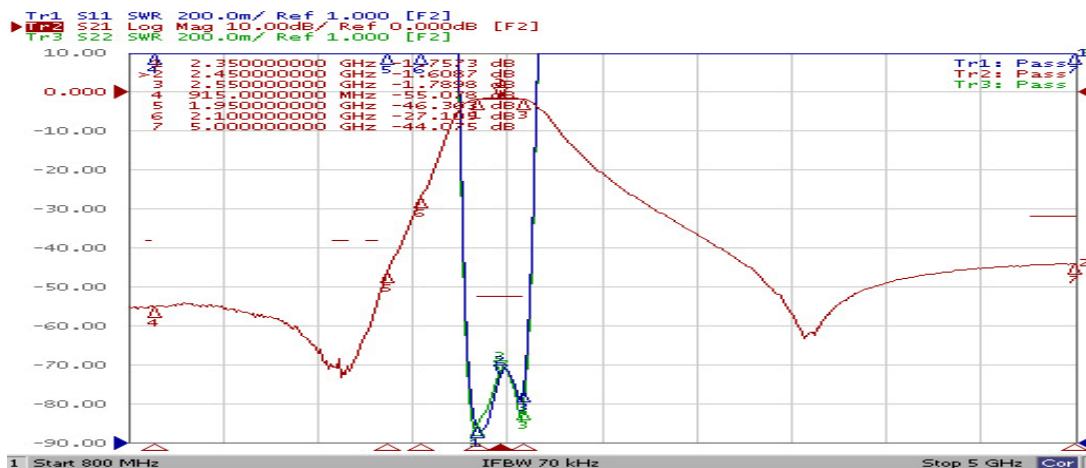
1. Dimensions 外形尺寸 (Unit: mm)



2. Electrical Characteristics 电气性能

No.	Item (项目)	Specifications (特性)
1	Center Frequency 中心频率 f_0	2450.00 MHz
2	Insertion Loss 插入损耗	≤ 2.0 dB (at $25^\circ\text{C} \pm 5^\circ\text{C}$)
		≤ 2.3 dB (at $-40^\circ\text{C} \sim 85^\circ\text{C}$)
3	Band Width 通带宽度	$f_0 \pm 100$ MHz
4	Ripple (in BW) 通带波动	≤ 1.0 dB
5	V.S.W.R (in BW) 驻波比	≤ 2.0
6	Attenuation 阻带衰减	≥ 37 (880~915MHz)
		≥ 37 (1710~1785MHz)
		≥ 37 (1850~1910MHz)
		≥ 31 (4800~5000MHz)
7	Permissible Input Power 输入功率 (MAX)	1 W
8	In/Output Impedance 输入/输出阻抗	50 Ω

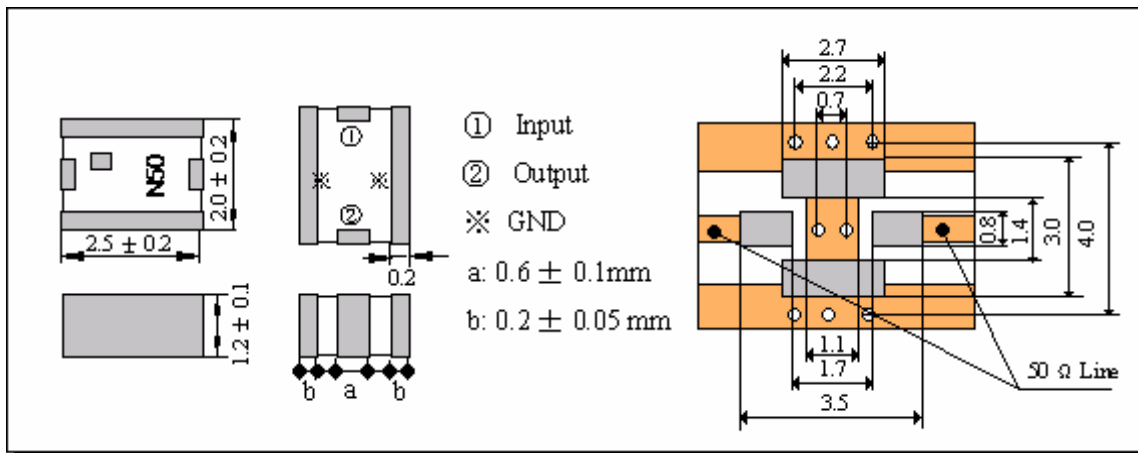
3. Characteristic curve 特性曲线



Multilayer Chip Microwave Band Pass Filter 叠层片式微波带通滤波器

Part No. 产品型号: MBPF22B2450P45-N50

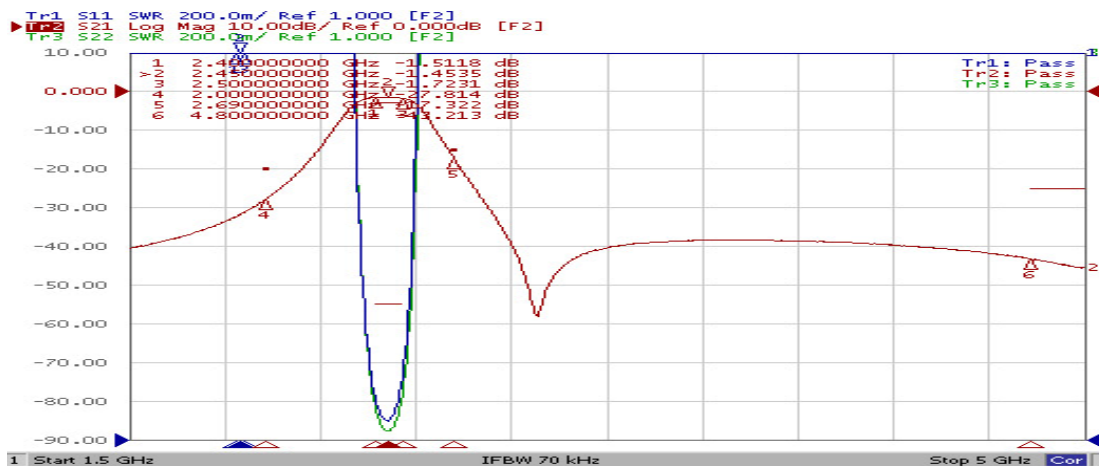
1. Dimensions 外形尺寸 (Unit: mm)



2. Electrical Characteristics 电气性能

No.	Item (项目)	Specifications (特性)
1	Center Frequency 中心频率 f_0	2450.0 MHz
2	Insertion Loss 插入损耗	$\leq 3.0\text{dB}$ (at $25^\circ\text{C} \pm 5^\circ\text{C}$)
		$\leq 3.5\text{dB}$ (at $-40^\circ\text{C} \sim 85^\circ\text{C}$)
3	Band Width 通带宽度	$f_0 \pm 50$ MHz
4	Ripple (in BW) 通带波动	≤ 1.5 dB
5	V.S.W.R (in BW) 驻波比	≤ 2.0
6	Attenuation 阻带衰减	≥ 25 (at 2000 MHz)
		≥ 15 (at 2690 MHz)
		≥ 35 (4800~5000 MHz)
7	Permissible Input Power 输入功率 (MAX)	1 W
8	In/Output Impedance 输入/输出阻抗	50 Ω

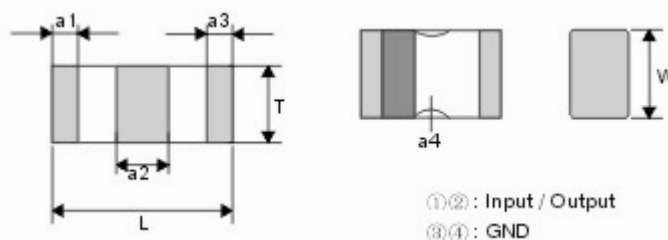
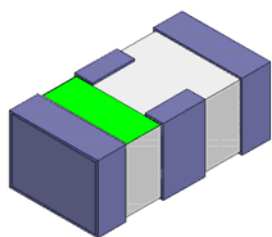
3. Characteristic curve 特性曲线



Multilayer Chip Microwave Band Pass Filter 叠层片式微波带通滤波器

Part No. 产品型号: MBPF18M2450-M11

1. Dimensions 外形尺寸 (Unit: mm)

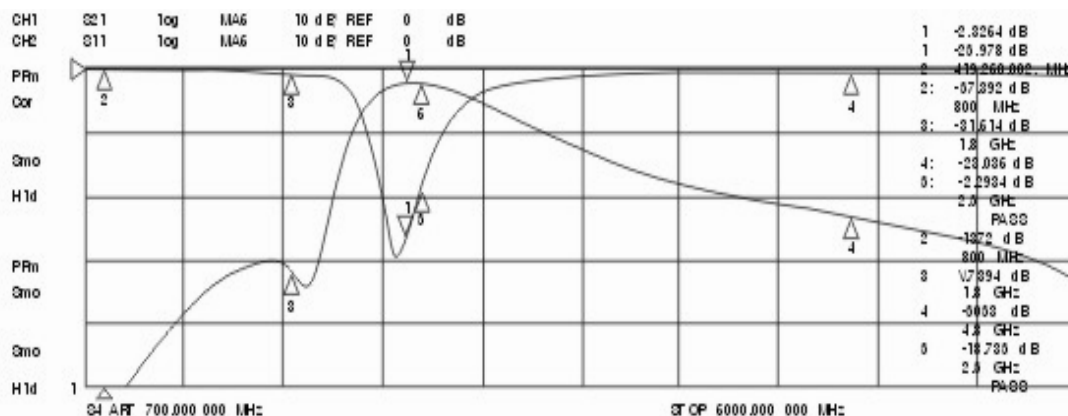


Type 型号	L	W	T	a ₁ , a ₃	a ₁ -a ₃	a ₂	a ₄
1608	1.6±0.05	0.8±0.05	0.55±0.05	0.15±0.05	≤0.05	0.6±0.10	0.15±0.1

2. Electrical Characteristics 电气性能

No.	Item (项目)	Specifications (特性)
1	Center Frequency 中心频率 fo	2450 MHz
2	Insertion Loss 插入损耗	≤2.4dB (at 25°C±5°C)
		≤2.7dB (at -40°C~85°C)
3	Band Width 通带宽度	fo±50.0 MHz
4	Ripple (in BW) 通带波动	≤1.5dB
5	V.S.W.R (in BW) 驻波比	≤2.1
6	Attenuation 阻带衰减	≥35dB (880~960MHz)
		≥25dB (1710~1990MHz)
		≥20dB (4800~5000MHz)
		≥25dB(7200~7500MHz)
7	Permissible Input Power 输入功率 (MAX)	0.5 W
8	In/Output Impedance 输入/输出阻抗	50 Ω

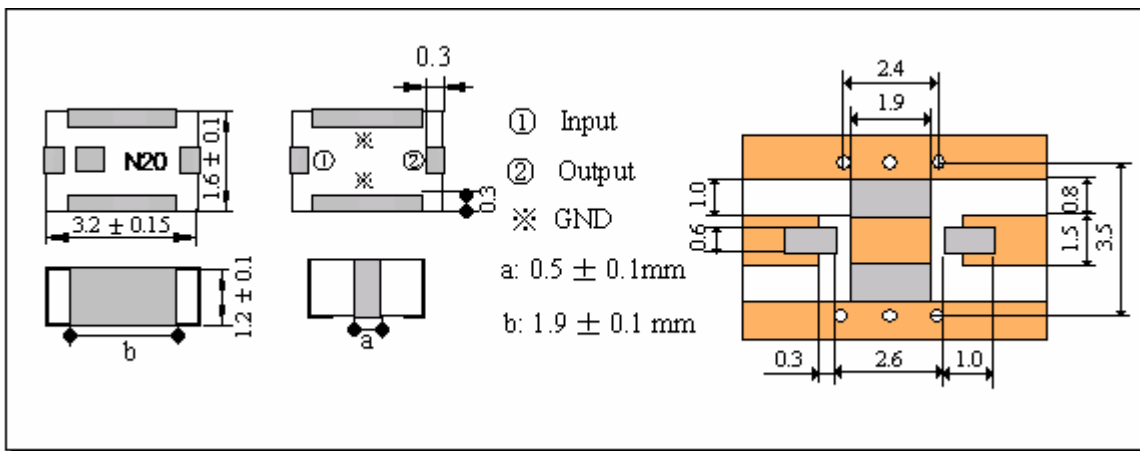
3. Characteristic curve 特性曲线



Multilayer Chip Microwave Band Pass Filter 叠层片式微波带通滤波器

Part No. 型号: MBPF 31B5800P36-N20

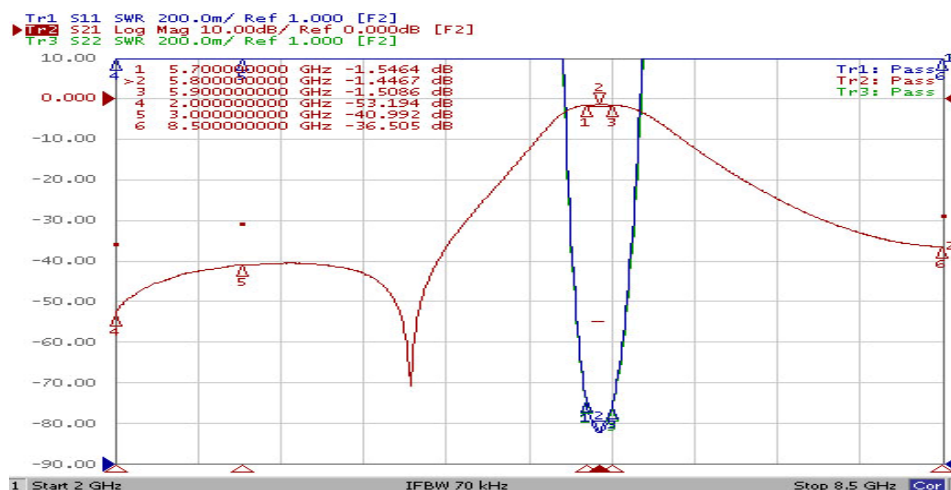
1. Dimensions 外形尺寸 (Unit: mm)



2. Electrical Characteristics 电气性能

No.	Item (项目)	Specifications (特性)
1	Center Frequency 中心频率 f_0	5800.0 MHz
2	Insertion Loss 插入损耗	≤ 2.0 dB (at $25^\circ\text{C} \pm 5^\circ\text{C}$)
		≤ 2.3 dB (at $-40^\circ\text{C} \sim 85^\circ\text{C}$)
3	Band Width 通带宽度	$f_0 \pm 50$ MHz
4	Ripple (in BW) 通带波动	≤ 1.0 dB
5	V.S.W.R (in BW) 驻波比	≤ 2.0
6	Attenuation 阻带衰减	≥ 35 dB (at 2000MHz)
		≥ 30 dB (at 3000MHz)
		≥ 30 dB (8500~9000MHz)
7	Permissible Input Power 输入功率 (MAX)	1 W
8	In/Output Impedance 输入/输出阻抗	50Ω

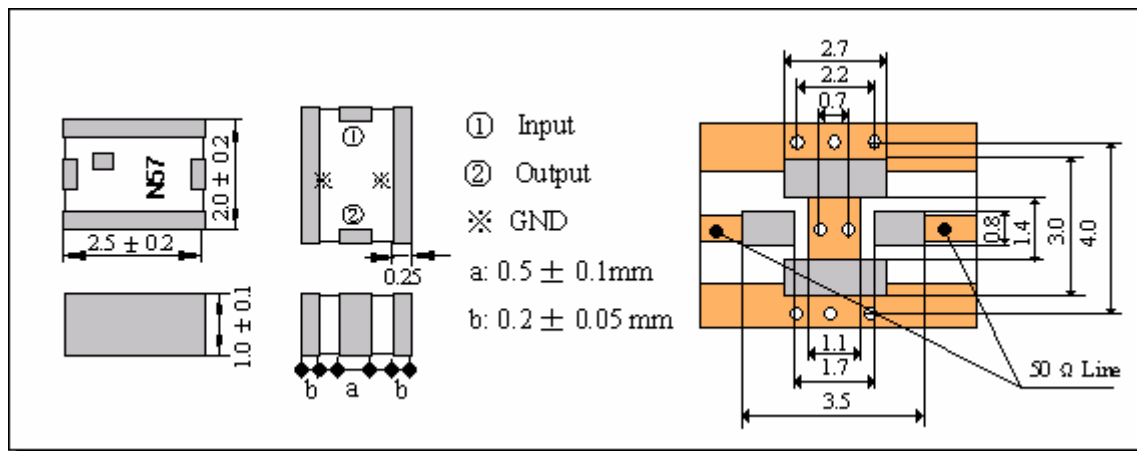
3. Characteristic curve 特性曲线



Multilayer Chip Microwave Band Pass Filter 叠层片式微波带通滤波器

Part No. 型号: MBPF 22B5790P56-N57

1. Dimensions 外形尺寸 (Unit: mm)



2. Electrical Characteristics 电气性能

No.	Item (项目)	Specifications (特性)
5.1	Center Frequency 中心频率 fo	5790.0 MHz
5.2	Insertion Loss 插入损耗	≤ 2.5 dB (at 25°C ± 5°C)
		≤ 2.8 dB (at -40°C ~ 85°C)
5.3	Band Width 通带宽度	fo ± 62.5 MHz
5.4	Ripple (in BW) 通带波动	≤ 1.0 dB
5.5	V.S.W.R (in BW) 驻波比	≤ 2.2
5.6	Attenuation 阻带衰减	≥ 48 dB (902 ~ 928 MHz)
		≥ 43 dB (1908 ~ 1950 MHz)
		≥ 40 dB (3816 ~ 3900 MHz)
		≥ 35 dB (4821 ~ 4947 MHz)
		≥ 18 dB (6628 ~ 6753 MHz)
5.7	Permissible Input Power 输入功率 (MAX)	1 W
5.8	In/Output Impedance 输入/输出阻抗	50 Ω

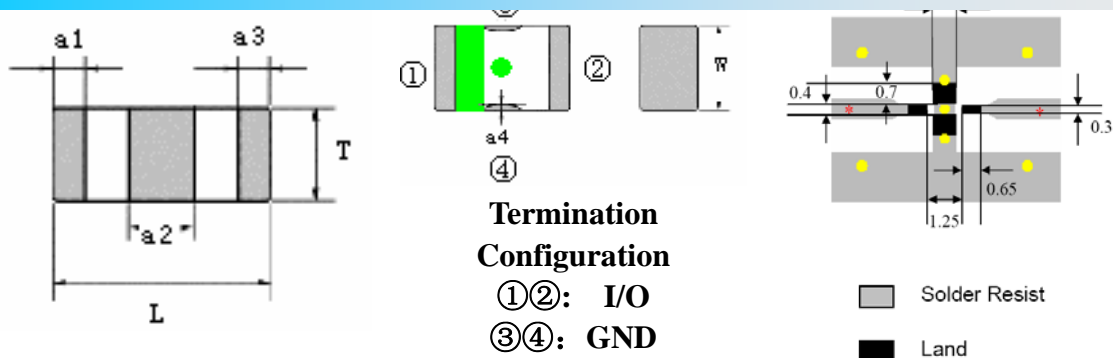
3. Characteristic curve 特性曲线



Multilayer Chip Microwave Band Pass Filter 叠层片式微波带通滤波器

Part No. 产品型号: MBPF18M2450-M11/1

1. Dimensions 外形尺寸 (Unit: mm)

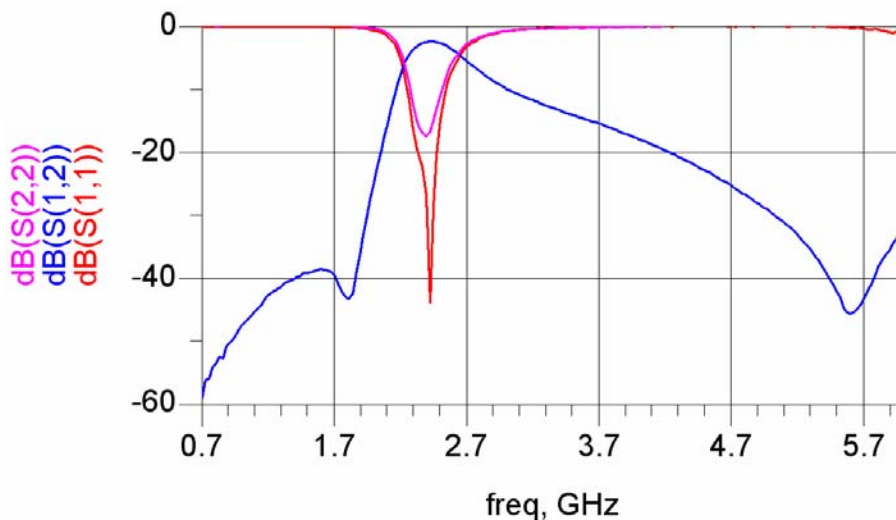


Type 型号	L	W	T	a ₁ , a ₃	a ₁ -a ₃	a ₂	a ₄
1608	1.6±0.05	0.8±0.05	0.55±0.05	0.15±0.05	≤0.05	0.6±0.05	0.15±0.1

2. Electrical Characteristics 电气性能

No.	Item (项目)	Specifications (特性)
5.1	Center Frequency 中心频率 fo	2450 MHz
5.2	Insertion Loss 插入损耗	≤2.4dB (at 25°C±5°C)
		≤2.7dB (at -40°C~85°C)
5.3	Band Width 通带宽度	fo±50.0 MHz
5.4	Ripple (in BW) 通带波动	≤1.5dB
5.5	V.S.W.R (in BW) 驻波比	≤2.1
5.6	Attenuation 阻带衰减	≥35dB (880~960MHz) ≥25dB (1710~1910MHz) ≥20dB (4800~5000MHz)
5.7	Permissible Input Power 输入功率 (MAX)	0.5 W
5.8	In/Output Impedance 输入/输出阻抗	50 Ω

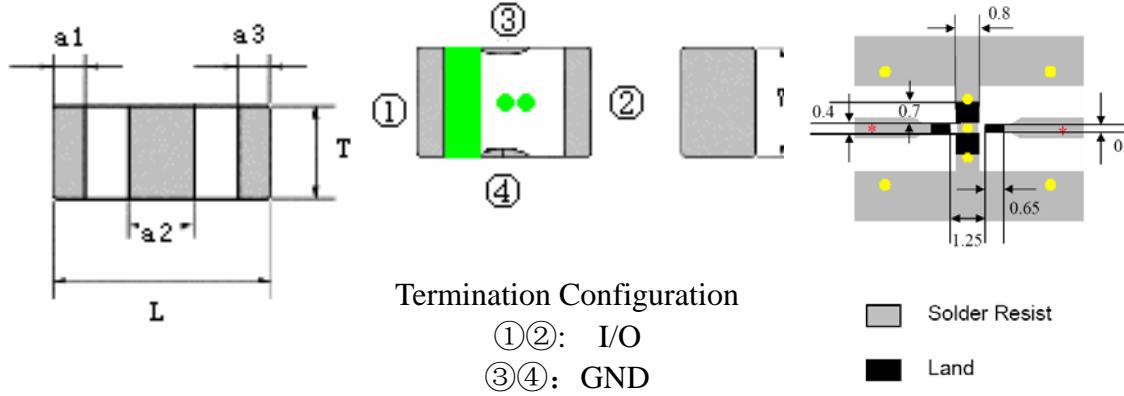
3. Characteristic curve 特性曲线



Multilayer Chip Microwave Band Pass Filter 叠层片式微波带通滤波器

Part No. 产品型号: MBPF18M2450-N78

1. Dimensions 外形尺寸 (Unit: mm)



Type 型号	L	W	T	a ₁ , a ₃	a ₁ -a ₃	a ₂	a ₄
1608	1.6±0.05	0.8±0.05	0.55±0.05	0.15±0.05	≤0.05	0.6±0.05	0.15±0.1

2. Electrical Characteristics 电气性能

No.	Item (项目)	Specifications (特性)
5.1	Center Frequency 中心频率 f ₀	2450 MHz
5.2	Insertion Loss 插入损耗	≤2.8dB (at 25°C±5°C)
		≤3.1dB (at -40°C~85°C)
5.3	Band Width 通带宽度	f ₀ ±50.0 MHz
5.4	Ripple (in BW) 通带波动	≤1.5dB
5.5	V.S.W.R (in BW) 驻波比	≤2.1
5.6	Attenuation 阻带衰减	≥35dB (880~960MHz) ≥20dB (1710~1910MHz) ≥30dB (4800~5000MHz)
5.7	Permissible Input Power 输入功率 (MAX)	0.5 W
5.8	In/Output Impedance 输入/输出阻抗	50 Ω

3. Characteristic curve 特性曲线

